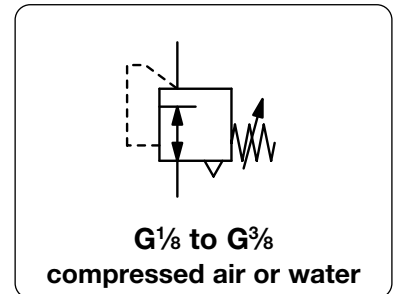


|                           |   |  |  |
|---------------------------|---|--|--|
| <b>Description</b>        | Miniature pressure regulator with diaphragm, designed for compressed air and water applications. All internal wetted sections are corrosion-resistant, lead free and without any brass components. Regulator for modular application with many integrated fixing holes. |  |  |
| <b>Media</b>              | compressed air, non-corrosive gases or water  |  |  |
| <b>Supply pressure</b>    | max. 11 bar   |  |  |
| <b>Adjustment</b>         | by plastic knob with snap-lock  |  |  |
| <b>Relieving function</b> | relieving for air, non-relieving for water  |  |  |
| <b>Gauge port</b>         | G $\frac{1}{8}$ on both sides of R25,   | G $\frac{1}{4}$ on both sides of R45, screw plugs supplied |  |
| <b>Mounting position</b>  | any   |  |  |
| <b>Temperature range</b>  | 0 °C to 50 °C / 32 °F to 122 °F   |  |  |
| <b>Material</b>           | Body: glass fibre-reinforced acetal<br>Inner valve: glass fibre-reinforced acetal   | Elastomer: NBR/Buna-N                                      |  |



| Dimensions |    |    | Flow rate |         | Connection | Pressure | Order no.     | Order no. for  |
|------------|----|----|-----------|---------|------------|----------|---------------|----------------|
| A          | B  | C  | water     | air     | thread     | range    | for water     | compressed air |
| mm         | mm | mm | l/min*1   | l/min*1 | G          | bar      | non-relieving | relieving      |

| Pressure regulator |    |    |   |     |                 |         | supply pressure max. 11 bar | R25            |
|--------------------|----|----|---|-----|-----------------|---------|-----------------------------|----------------|
| 40                 | 78 | 12 | 3 | 150 | G $\frac{1}{8}$ | 0...1.0 | <b>R25-010K</b>             | <b>R25-010</b> |
|                    |    |    |   |     |                 | 0...1.8 | <b>R25-01AK</b>             | <b>R25-01A</b> |
|                    |    |    |   |     |                 | 0...4.0 | <b>R25-01BK</b>             | <b>R25-01B</b> |
|                    |    |    |   |     |                 | 0...9.0 | <b>R25-01CK</b>             | <b>R25-01C</b> |
| 40                 | 78 | 12 | 3 | 150 | G $\frac{1}{4}$ | 0...1.0 | <b>R25-020K</b>             | <b>R25-020</b> |
|                    |    |    |   |     |                 | 0...1.8 | <b>R25-02AK</b>             | <b>R25-02A</b> |
|                    |    |    |   |     |                 | 0...4.0 | <b>R25-02BK</b>             | <b>R25-02B</b> |
|                    |    |    |   |     |                 | 0...9.0 | <b>R25-02CK</b>             | <b>R25-02C</b> |



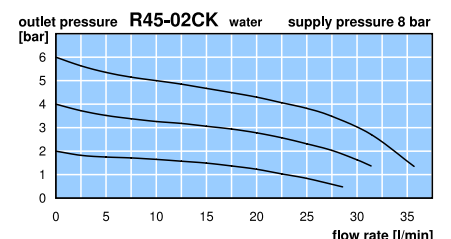
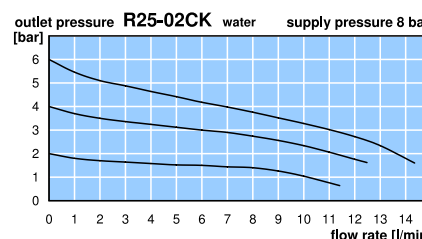
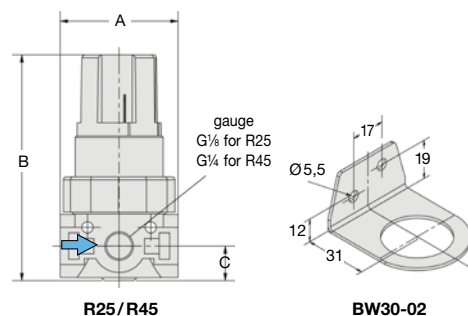
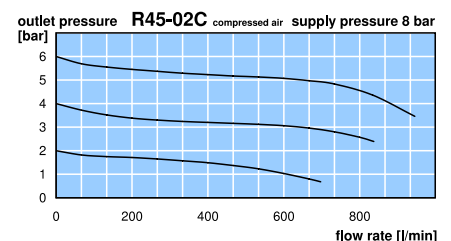
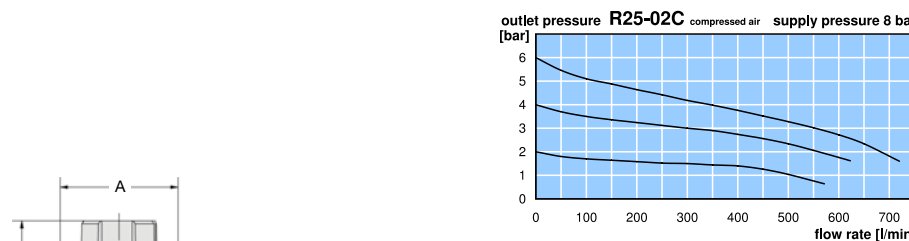
| Pressure regulator for high flow |    |    |    |     |                 |         | supply pressure max. 11 bar | R45            |
|----------------------------------|----|----|----|-----|-----------------|---------|-----------------------------|----------------|
| 52                               | 87 | 14 | 10 | 680 | G $\frac{1}{4}$ | 0...1.8 | <b>R45-02AK</b>             | <b>R45-02A</b> |
|                                  |    |    |    |     |                 | 0...4.0 | <b>R45-02BK</b>             | <b>R45-02B</b> |
|                                  |    |    |    |     |                 | 0...9.0 | <b>R45-02CK</b>             | <b>R45-02C</b> |
| 52                               | 87 | 14 | 13 | 960 | G $\frac{3}{8}$ | 0...1.8 | <b>R45-03AK</b>             | <b>R45-03A</b> |
|                                  |    |    |    |     |                 | 0...4.0 | <b>R45-03BK</b>             | <b>R45-03B</b> |
|                                  |    |    |    |     |                 | 0...9.0 | <b>R45-03CK</b>             | <b>R45-03C</b> |



**Special options, add the appropriate letter**

**adjustment lock** socket wrench adjustment, height 64 mm R25 only R25-0..T

| Accessories, enclosed   |                                      |         |                    |
|-------------------------|--------------------------------------|---------|--------------------|
| <b>pressure gauge</b>   | Ø 40 mm, 0...*2 bar, G $\frac{1}{8}$ | for R25 | <b>MA4001-..*2</b> |
|                         | Ø 50 mm, 0...*2 bar, G $\frac{1}{4}$ | for R45 | <b>MA5002-..*2</b> |
| <b>mounting bracket</b> | made of steel                        |         | <b>BW30-02</b>     |
| <b>mounting nut</b>     | made of plastic                      |         | <b>R05X51</b>      |
|                         | made of aluminium                    |         | <b>R05X51-A</b>    |



\*1 at 8 bar supply pressure, 6 bar outlet pressure and 1 bar pressure drop, for water supply pressure 2 bar above outlet pressure  
\*2 01 = 0...1 bar, 02 = 0...2.5 bar, 04 = 0...4 bar, 10 = 0...10 bar

\* Product group

Gauges: see chapter for measuring devices

PDF CAD  
www.aircom.net



Order example:  
**R25-010K**