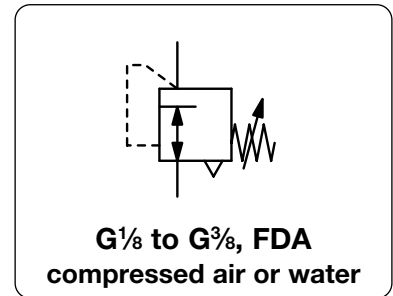


Description	Miniature pressure regulator with diaphragm, designed for compressed air and water applications. All internal wetted sections are corrosion-resistant, lead free and without any brass components. Material approved by the NSF and FDA. Regulator for modular application with many integrated fixing holes.		
Media	compressed air, non-corrosive gases or water		
Supply pressure	max. 11 bar		
Adjustment	by plastic knob with snap-lock		
Relieving function	relieving for air, non-relieving for water		
Gauge port	G $\frac{1}{8}$ on both sides of R25,	G $\frac{1}{4}$ on both sides of R45, screw plugs supplied	
Mounting position	any		
Temperature range	0 °C to 50 °C / 32 °F to 122 °F		
Material	Body: glass fibre-reinforced acetal Inner valve: glass fibre-reinforced acetal	Elastomer: NBR/Buna-N	



Dimensions			Flow rate		Connection	Pressure	Order no.	Order no. for
A	B	C	water	air	thread	range	for water	compressed air
mm	mm	mm	l/min*1	l/min*1	G	bar	non-relieving	relieving

Pressure regulator							supply pressure max. 11 bar	R25	
40	78	12	3	150	G $\frac{1}{8}$	0...1.0	R25-010K	R25-010	
						0...1.8	R25-01AK	R25-01A	
						0...4.0	R25-01BK	R25-01B	
						0...9.0	R25-01CK	R25-01C	
40	78	12	3	150	G $\frac{1}{4}$	0...1.0	R25-020K	R25-020	
						0...1.8	R25-02AK	R25-02A	
						0...4.0	R25-02BK	R25-02B	
						0...9.0	R25-02CK	R25-02C	



R25

Pressure regulator for high flow							supply pressure max. 11 bar	R45	
52	87	14	10	680	G $\frac{1}{4}$	0...1.8	R45-02AK	R45-02A	
						0...4.0	R45-02BK	R45-02B	
						0...9.0	R45-02CK	R45-02C	
52	87	14	13	960	G $\frac{3}{8}$	0...1.8	R45-03AK	R45-03A	
						0...4.0	R45-03BK	R45-03B	
						0...9.0	R45-03CK	R45-03C	



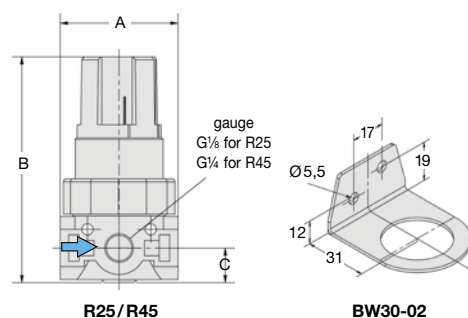
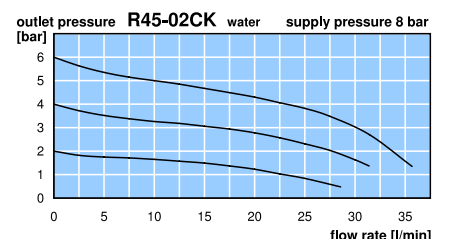
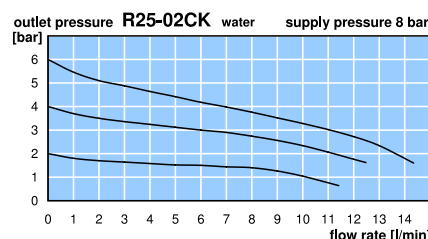
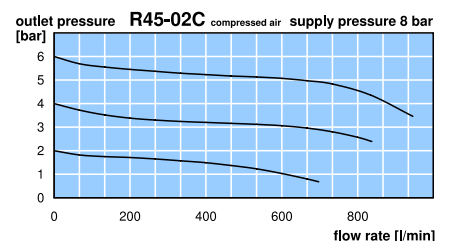
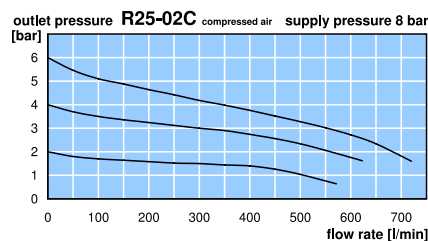
R45

Special options, add the appropriate letter

adjustment lock	socket wrench adjustment, height 64 mm	R25 only R25-0..T
EPDM-Elastomerc		R.5-0..E

Accessories, enclosed

pressure gauge	Ø 40 mm, 0...*2 bar, G $\frac{1}{8}$ Ø 50 mm, 0...*2 bar, G $\frac{1}{4}$	for R25 MA4001-..*2 for R45 MA5002-..*2
mounting bracket	made of steel	BW30-02
mounting nut	made of plastic made of aluminium	R05X51 M30x1,5A



R25/R45

BW30-02

*1 at 8 bar supply pressure, 6 bar outlet pressure and 1 bar pressure drop, for water supply pressure 2 bar above outlet pressure
*2 01 = 0...1 bar, 02 = 0...2.5 bar, 04 = 0...4 bar, 10 = 0...10 bar

* Product group

Gauges: see chapter for measuring devices

PDF CAD
www.aircom.net



Order example:
R25-010K