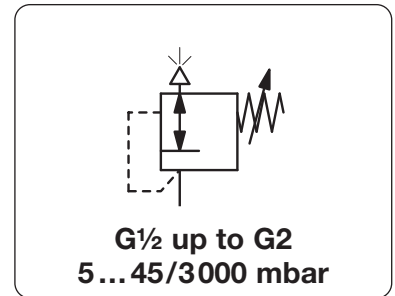


<b>Description</b>	Diaphragm back pressure regulators protect pneumatic devices against overpressure. If the pressure exceeds the setpoint, the pressure valve exhausts to the atmosphere until the pressure level is below the setpoint. It is advisable to select the pressure range as near as possible to the maximum setpoint.
<b>Media</b>	compressed air or non-corrosive gases
<b>Overpressure</b>	max. 6 bar
<b>Adjustment</b>	by handwheel with locknut for DBC-04 by hexagonal spindle (spanner size 24 mm) with locknut for DBC-08/-16
<b>Gauge port</b>	G $\frac{1}{4}$ for operation pressure, on both sides of the body, connection parts required
<b>Mounting position</b>	any
<b>Temperature range</b>	-20 °C to 60 °C / -4 °F to 140 °F
<b>Material</b>	Body: aluminium Diaphragm: NBR/Buna-N with PTFE coating O-rings: NBR/Buna-N, optionally FKM or EPDM Inner valve: brass

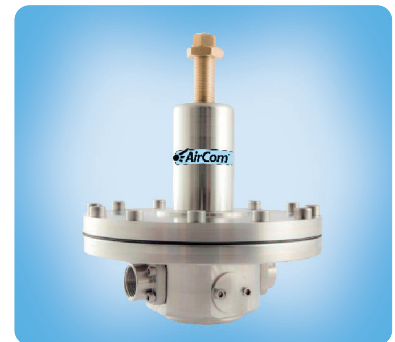


Dimensions			Relief capacity l/min*1	Over-pressure max. bar	Connection thread G	Adjustment range mbar	Order number
A	B	C					
mm	mm	mm					

Aluminium back pressure regulator			NBR/Buna-N with PTFE coating		DBC		
82	186	38	300	6	G $\frac{1}{2}$	5 ... 45	<b>DBC-04N</b>
			500			20 ... 200	<b>DBC-04P</b>
			1000			150 ... 700	<b>DBC-04Q</b>
161	290	45	1300	6	G $\frac{3}{4}$	50 ... 300	<b>DBC-06P</b>
			2300			100 ... 700	<b>DBC-06Q</b>
			5000			200 ... 1200	<b>DBC-06R</b>
161	290	45	1300	6	G1	50 ... 300	<b>DBC-08P</b>
			2300			100 ... 700	<b>DBC-08Q</b>
			5000			200 ... 1200	<b>DBC-08R</b>
265	290	45	1300	6	G1 $\frac{1}{4}$	50 ... 300	<b>DBC-10P</b>
			2300			100 ... 700	<b>DBC-10Q</b>
			5000			200 ... 1200	<b>DBC-10R</b>
265	290	45	1300	6	G1 $\frac{1}{2}$	50 ... 300	<b>DBC-1AP</b>
			2300			100 ... 700	<b>DBC-1AQ</b>
			5000			200 ... 1200	<b>DBC-1AR</b>
192	444	128	2500	6	G1 $\frac{1}{2}$	20 ... 50	<b>DBC-12N</b>
			5000			50 ... 150	<b>DBC-12P</b>
			7500			150 ... 300	<b>DBC-12Q</b>
			10000			300 ... 3000	<b>DBC-12R</b>
192	444	128	2500	6	G2	20 ... 50	<b>DBC-16N</b>
			5000			50 ... 150	<b>DBC-16P</b>
			7500			150 ... 300	<b>DBC-16Q</b>
			10000			300 ... 3000	<b>DBC-16R</b>



DBC-04



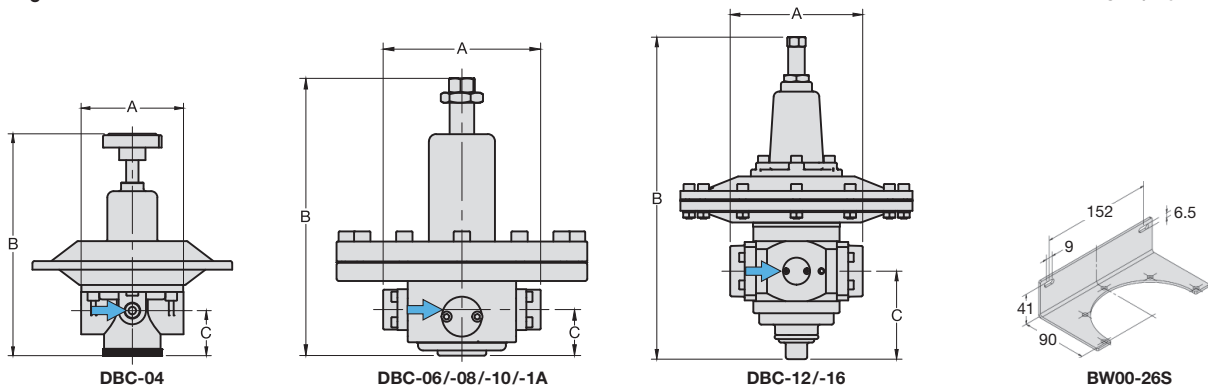
DBC-06/-08



DBC-12/-16

Special options, add the appropriate letter			
NPT	connection thread		DBC-... N
FKM o-ring	PTFE-diaphragm		DBC-... V
EPDM o-ring	PTFE-diaphragm		DBC-... E
flange connection	according to EN-1092-1 or ASME B16.5	on request	DBC-... F.

Accessories, enclosed			
pressure gauge	Ø 63 mm, 0...*2 mbar, G $\frac{1}{4}$ , capsule type, up to 400 mbar		<b>MA6302-...*2</b>
	Ø 63 mm, 0...*2 bar, G $\frac{1}{4}$ , Bourdon tube, up 1 bar		<b>MA6302-...*2</b>
gauge connection	made of brass, extension G $\frac{1}{4}$ a-G $\frac{1}{4}$ i		<b>AM-01</b>
mounting bracket	made of stainless steel	for G $\frac{1}{2}$	<b>BW00-26S</b>



\*1 at 6 bar overpressure and open outlet  
\*2 B6 = 0...60 mbar, C2 = 0...160 mbar, C4 = 0...400 mbar, C01 = 0...1 bar, 04 = 0...4 bar, 06 = 0...6 bar

Gauges: see chapter for measuring devices

PDF CAD  
www.aircom.net

\* Product group



Order example:  
**DBC-04N**

