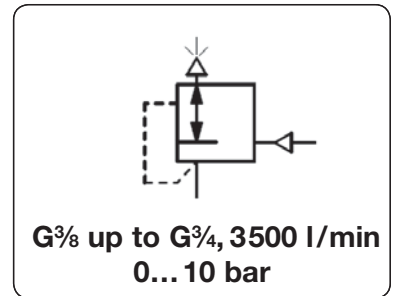


<b>Description</b>	Diaphragm back pressure regulators protect pneumatic devices against overpressure. If the pressure exceeds the setpoint, the pressure valve exhausts to the atmosphere until the pressure level is below the setpoint. It is advisable to select the pressure range as near as possible to the maximum setpoint.		
<b>Media</b>	compressed air or non-corrosive gases		
<b>Overpressure</b>	max. 17 bar	<b>Pilot pressure</b>	0 ... 10 bar
<b>Accuracy</b>	3% at 7 bar pilot pressure	<b>Response sensitivity</b>	2.5 mbar
<b>Adjustment</b>	depending on the level of signal pressure the response value will change accordingly		
<b>Gauge port</b>	G $\frac{1}{4}$ on both sides of the body, screw plugs supplied	<b>Mounting position</b>	any
<b>Temperature range</b>	0 °C to 90 °C / 32 °F to 194 °F, for appropriately conditioned compressed air down to -40 °C / -40 °F		
<b>Material</b>	Body: aluminium die casting O-rings: NBR/Buna-N, optionally FKM	Elastomer:	NBR/Buna-N Inner valve: brass and aluminium



Dimensions			Relief capacity	Over-pressure	Adjustment range	Connection thread	Order number
A	B	C	l/min*1	max. bar	bar	G	
mm	mm	mm					

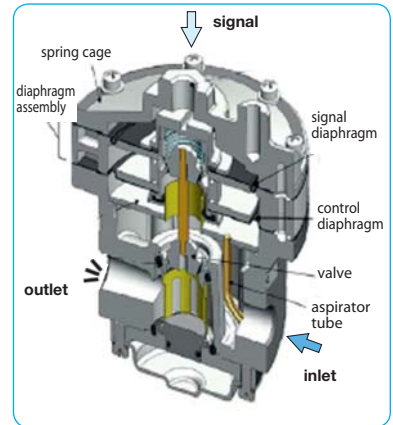
Back pressure regulator, pilot-operated						pilot pressure overpressure	0...10 bar max. 17 bar	DB450
87	129	40	3500	17	0... 10	G $\frac{3}{8}$		DB450-03
						G $\frac{1}{2}$		DB450-04
						G $\frac{3}{4}$		DB450-06



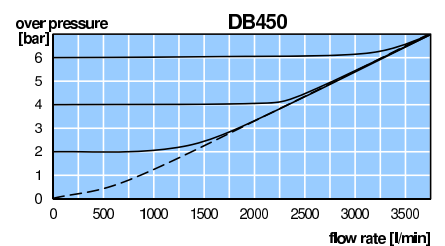
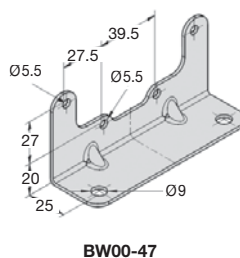
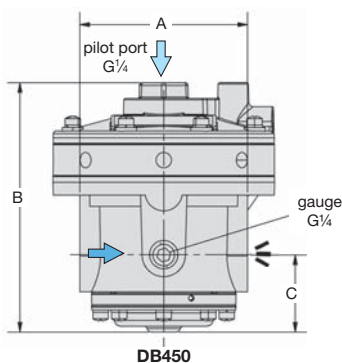
DB450

Special options, add the appropriate letter		
NPT	connection thread	DB450-0. N
FKM elastomer		DB450-0. V

Zubehör, lose beigelegt		
pressure gauge	Ø 63 mm, 0...*2 bar, G $\frac{1}{4}$	MA6302-..*2
mounting bracket	made of steel	BW00-47



cross-section



\*1 at 6 bar inlet pressure and open outlet

\*2 02 = 0...2.5 bar, 04 = 0...4 bar, 06 = 0...6 bar, 10 = 0...10 bar

