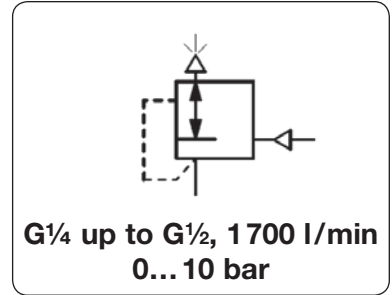


Description	Diaphragm back pressure regulators protect pneumatic devices against overpressure. If the pressure exceeds the setpoint, the pressure valve exhausts to the atmosphere until the pressure level is below the setpoint. It is advisable to select the pressure range as near as possible to the maximum setpoint.		
Media	compressed air or non-corrosive gases		
Overpressure	max. 17 bar	Pilot pressure	0 ... 10 bar
Accuracy	1% at 7 bar pilot pressure	Response sensitivity	1 mbar
Adjustment	depending on the level of signal pressure the response value will change accordingly		
Gauge port	G $\frac{1}{4}$ on both sides of the body, screw plugs supplied	Mounting position	any
Temperature range	0 °C to 90 °C / 32 °F to 194 °F, for appropriately conditioned compressed air down to -40 °C / -40 °F		
Material	Body: aluminium die casting O-rings: NBR/Buna-N, optionally FKM	Elastomer:	NBR/Buna-N Inner valve: brass and zinc-plated steel



Dimensions			Relief capacity l/min*1	Over-pressure max. bar	Adjustment range bar	Connection thread G	Order number
A	B	C					

Back pressure regulator, pilot-operated							pilot pressure overpressure	0...10 bar max. 17 bar	DB208
76	98	24	1700	17	0... 10	G $\frac{1}{4}$		DB208-02	
						G $\frac{3}{8}$		DB208-03	
						G $\frac{1}{2}$		DB208-04	



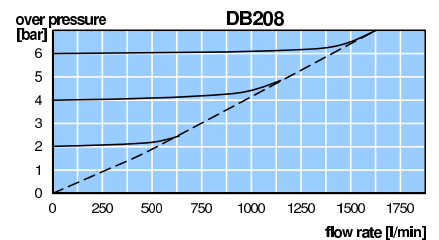
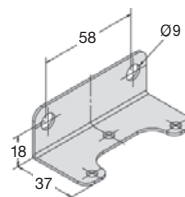
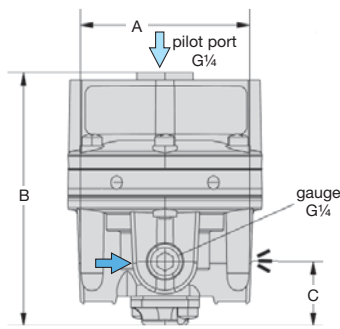
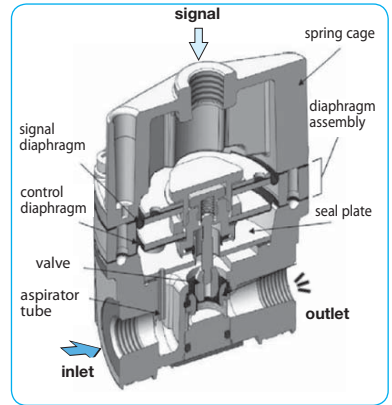
DB208

Special options, add the appropriate letter

NPT	connection thread	DB208-0.N
FKM elastomer		DB208-0.V

Accessories

pressure gauge	Ø 50 mm, 0...*2 bar, G $\frac{1}{4}$	MA5002-...*2
mounting bracket	made of steel	BW00-34



*1 at 7 bar inlet pressure and open outlet
*2 02 = 0...2.5 bar, 04 = 0...4 bar, 06 = 0...6 bar, 10 = 0...10 bar

Gauges: see chapter for measuring devices

PDF CAD
www.aircom.net

Order example:
DB208-02