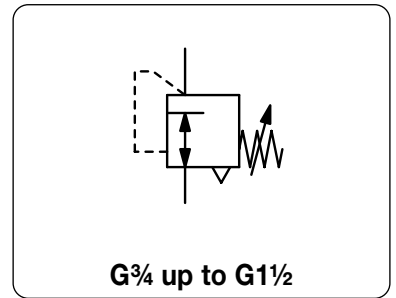


Description	Diaphragm pressure regulator in small design with large volume flow. Can be blocked with a filter or lubricator without using a double nipple. Compressed air or neutral gases		
Media			
Supply pressure	max. 20 bar		
Adjustment	with lockable adjustment knob for R530, with adjustment screw for R532		
Relieving	relieving, optionally non relieving		
Gauge port	G $\frac{1}{8}$ on both sides, Screw plugs are supplied		
Mounting position	any		
Temperature range	0 °C to 80 °C		
Material	Body: aluminium die-cast	Sping cage: plastic reinforced with glass fibre	Inner valve: brass, plastic
	Elastomer: NBR		



Dimensions			K _v -value (m ³ /h)	Flow rate		Connection thread G	Pressure range bar	Order Number A *
A	B	C		m ³ /h*1	l/min*1			

Standard pressure regulator								supply pressure max. 20 bar, relieving, without pressure gauge	R530
120	212	63	10.0	900	15000	G $\frac{3}{4}$	0.2 ... 2 0.3 ... 3.5 1.0 ... 10 1.7 ... 17	R530-06A R530-06B R530-06C R532-06D	
120	212	63	10.0	900	15000	G1	0.2 ... 2 0.3 ... 3.5 1.0 ... 10 1.7 ... 17	R530-08A R530-08B R530-08C R532-08D	
120	212	63	10.2	924	15400	G1 $\frac{1}{4}$	0.2 ... 2 0.4 ... 4 1.0 ... 10 1.7 ... 17	R530-10A R530-10B R530-10C R532-10D	
120	212	63	10.4	948	15800	G1 $\frac{1}{2}$	0.2 ... 2 0.4 ... 4 1.0 ... 10 1.7 ... 17	R530-12A R530-12B R530-12C R532-12D	



R530
with knob



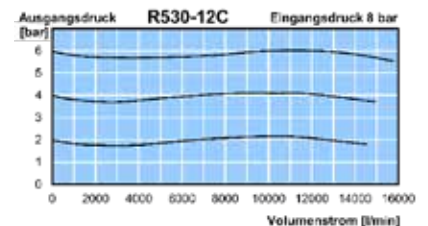
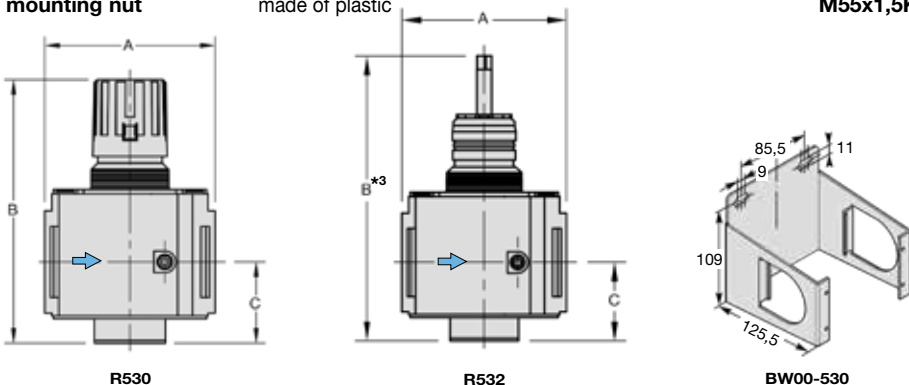
R532
with adjustment screw

Special options, add the appropriate letter

adjustment screw	with locknut	up to 10 bar	B + 20 mm*3	R532 - . . .
non relieving	without relieving function			R53 K
flange connection	according to EN-1092-1 or ASME B16.5	on request		R53 F.

Accessories, enclosed

pressure gauge	Ø 50 mm, 0...*2 bar, G $\frac{1}{8}$	MA5001- . . . *2
pressure gauge	Ø 63 mm, 0...25 bar, G $\frac{1}{4}$ Connecting parts required	MA6302- 25
connection parts	pressure gauge, brass, adapter G $\frac{1}{8}$ -G $\frac{1}{4}$	AM-04
mounting bracket	made of steel	BW00-530
mounting nut	made of plastic	M55x1,5K



*1 at 8 bar supply pressure, 6 bar outlet pressure and 1 bar pressure drop
*2 02 = 0...2,5 bar, 04 = 0...4 bar, 06 = 0...6 bar, 10 = 0...10 bar, 16 = 0...16 bar

* Product group

Gauges: see chapter for measuring devices

PDF CAD
www.aircom.net



Order example:
R530-06A