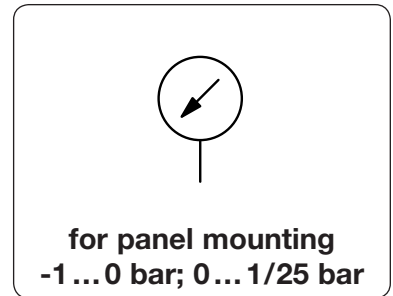


Description	Bourdon tube gauge, dust-protected, splash-proof, antirust, oil-resistant and silicone-free.		
Media	all media compliant with brass, e.g. compressed air, non-corrosive gases or fluids		
Scale	white background with black bar scale and red psi scale		
Indicator accuracy	1.6% FS on gauge Ø 63 mm 2.5% FS on gauge Ø 40 mm and Ø 50 mm		
Threaded connection	G $\frac{1}{8}$ or G $\frac{1}{4}$, on central back		
Temperature range	0 °C to 60 °C / 32 °F to 140 °F, for appropriately conditioned compressed air down to -20 °C / -4 °F		
Material	Housing: ABS plastic Lens: acrylic glass	Connection/Inner parts: brass	



Dimensions				Principle	Indicator accuracy	Display range	Order number	Order number
A	B	C	D	R: Bourdon tube K: capsule tube	% FS	bar	G $\frac{1}{8}$	G $\frac{1}{4}$

Gauge with mounting flange							chrome-plated	ME	ME
40	61	51	46	R	2.5	0 ... 2.5		ME4001-02	
						0 ... 4		ME4001-04	
						0 ... 6		ME4001-06	
						0 ... 10		ME4001-10	
50	71	61	52	R	2.5	0 ... 6			ME5002-06
						0 ... 10			ME5002-10
						0 ... 16			ME5002-16
63	85	75	53	R	1.6	-1 ... 0 vac.			ME6302-00
						0 ... 4			ME6302-04
						0 ... 6			ME6302-06
						0 ... 10			ME6302-10
						0 ... 16			ME6302-16

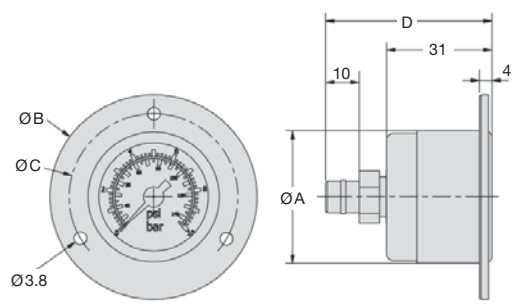


ME5002-10

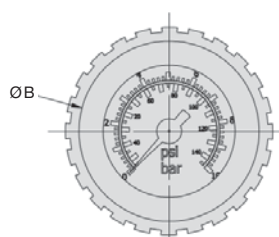
Gauge with triangular bezel							chrome-plated with nut	MF	MF
40	43	-	-	R	2.5	0 ... 2.5		MF4001-02	
						0 ... 4		MF4001-04	
						0 ... 6		MF4001-06	
						0 ... 10		MF4001-10	
50	55	-	-	R	2.5	-1 ... 0 vac.			MF5002-00
						0 ... 6			MF5002-06
						0 ... 10			MF5002-10
						0 ... 16			MF5002-16
63	68	-	-	R	1.6	-1 ... 0 vac.			MF6302-00
				K		0 ... 0.25			MF6302-C2
				R		0 ... 4			MF6302-04
						0 ... 6			MF6302-06
						0 ... 10			MF6302-10
						0 ... 16			MF6302-16
						0 ... 25			MF6302-25



MF5002-10



ME
gauge with mounting flange



MF
gauge with triangular bezel

