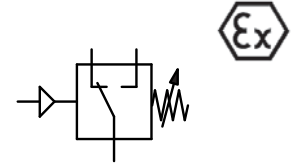


<b>Description</b>	The pressure switch closes or opens an electrical contact when the desired pressure is reached. When the pressure falls below the adjusted setpoint, the contact will be reset.	
<b>Media</b>	compressed air or non-corrosive gases	
<b>Overpressure</b>	see chart for max. static pressure,	
<b>Contact load</b>	DS34: 1 A at 230 V AC,	<b>Switch contact</b> SPDT switch
<b>ATEX version</b>	DS34: II 3D IP 65 T90°C	dynamic pressures are 50% lower
<b>Electrical connector</b>	3-wire connection cable, length 2 m, cross-sectional area 0.75 mm <sup>2</sup> at DS34 or 0.5 mm <sup>2</sup> at DS35	DS35: 2 A at 230 V AC
<b>Hysteresis</b>	< 25% FS, ca. 10% FS in the lower range	DS35: II 2G Ex d II C T6/T5
<b>Life cycle</b>	10 <sup>8</sup> switching cycles at < 50 bar	<b>Switching frequency</b> 200 cycles/min
<b>Vibration resistance</b>	10 g at 5...200 Hz	<b>Shock resistance</b> 30 g
<b>Mounting position</b>	any	<b>Protection class</b> IP 65
<b>Temperature range</b>	-20 °C to 80 °C / 23 °F to 176 °F for NBR/Buna-N and EPDM	
	-5 °C to 80 °C / 23 °F to 176 °F for FKM	
<b>Material</b>	Body: zinc-plated steel at DS34, aluminium at DS35	optionally EPDM or FKM
	Elastomer: NBR/Buna-N,	



**0.3... 1.5/400 bar  
dust- and gas-proof**

Switches  
12

Pressure transmission by	Overpressure protection < bar	Measurement tolerance ± bar	Measurement range bar	Order number
--------------------------	-------------------------------	-----------------------------	-----------------------	--------------

Pressure switch G <sup>1</sup> / <sub>4</sub> male	SPDT switch 230 V AC, 1A	dust-proof	II 3D IP 65 T90°C	DS34
diaphragm	300	0.2	0.3 ... 1.5	DS34-A
		0.5 - 1.0	1.0 ... 10	DS34-B
		1.0	10 ... 20	DS34-C
		2.0	20 ... 50	DS34-D
piston	600	5.0	50 ... 150	DS34-E



DS34, dust protection

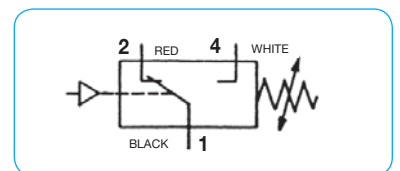
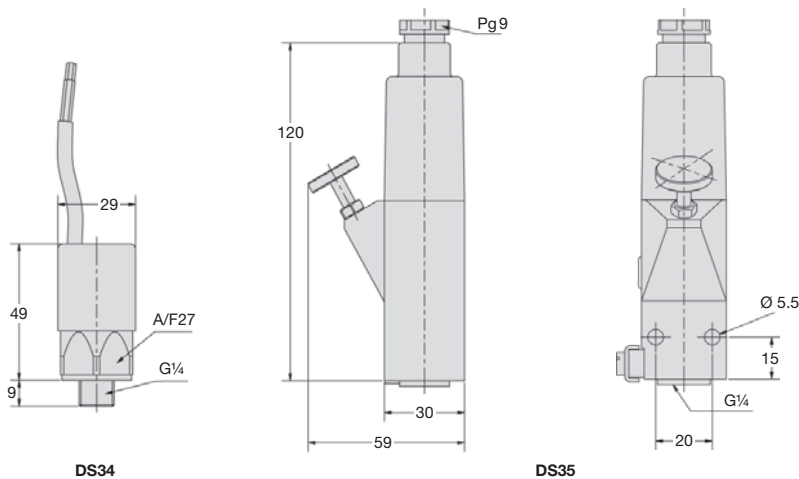
Pressure switch G <sup>1</sup> / <sub>4</sub> female	SPDT switch 230 V AC, 1A	gas-proof	II 2G Ex d II C T6/T5	DS35
diaphragm	200	0.5	1 ... 6	DS35-B
		3.0	5 ... 50	DS35-D
piston	600	3 - 5	20 ... 100	DS35-E
		5 - 9	100 ... 400	DS35-K



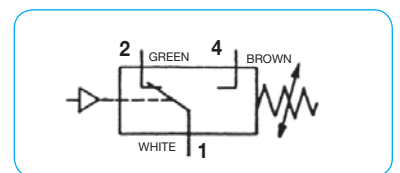
DS35, gas protection

### Special options, add the appropriate letter

<b>EPDM elastomer</b>	-20 °C to 80 °C / -4 °F to 176 °F	DS3. - .E
<b>FKM elastomer</b>	- 5 °C to 80 °C / 23 °F to 176 °F	DS3. - .V
<b>free of oil and grease</b>	suitable for oxygen, max. 10 bar, diaphragm version only	DS3. - .L
<b>adjusted switchpoint</b>	± 5%, indicate on order	DS3. - .X



pin configuration DS34



pin configuration DS35

PDF CAD  
www.aircom.net



Order example:  
DS34-A