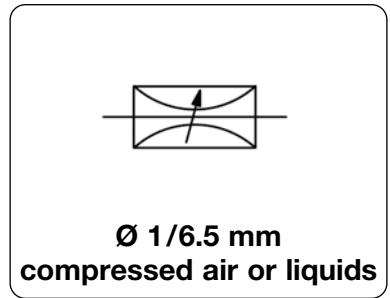




Description	The modular, compact micro needle valve is for fine-flow adjustment of gases and liquids. It consists of an inner valve and body with straight or angle connector. The valve is free from oil and grease.	
Media	5 µm filtered compressed air, non-corrosive gases or liquids	
Operating pressure	vacuum up to positive pressure of max. 40 bar	
Adjustment	The micro valve has a 15-turn spindle to fully open from a closed condition. It operates with virtually no hysteresis and closes clockwise or optionally counterclockwise. The valve needle is non-rotating and thus provides a stable adjustment.	
Panel mounting	borehole 15 mm,	mounting through two screws M4x10
Temperature range	-40 °C to 100 °C / -40 °F to 212 °F	
Material	Body: anodized aluminium, optionally stainless steel Inner valve: nickel-plated brass, optionally stainless steel	Elastomer: FKM, optionally EPDM Knob: plastic

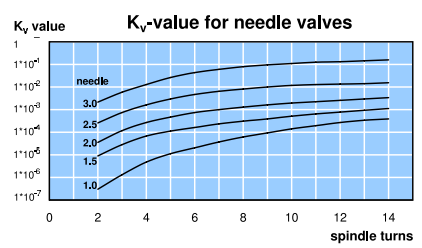
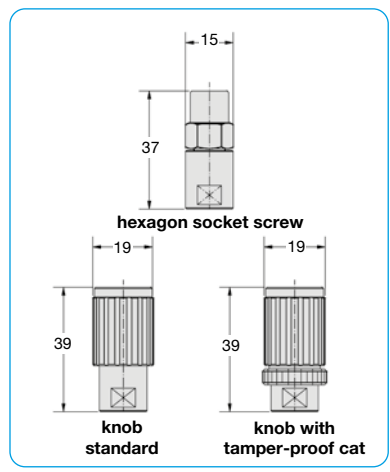
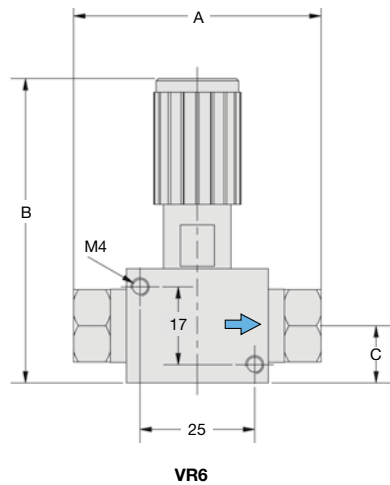


Dimensions			Needle size mm	K _v -value (m ³ /h)	Flow rate		Connection thread G	Order number
A	B	C			water l/min*2	air l/min*1		

Precision needle valve					with straight pass, right-hand closing, with knob, aluminium/brass/FKM, supply: max. 40 bar			VR	
54	64	10	1.0	0.0007	0 ... 0.01	0 ... 0.3	G¼	VR6-02A	
			1.5	0.005	0 ... 0.10	0 ... 2.5		VR6-02B	
			2.0	0.01	0 ... 0.15	0 ... 7.0		VR6-02C	
			2.5	0.04	0 ... 0.60	0 ... 17		VR6-02D	
			3.0	0.10	0 ... 2.30	0 ... 60		VR6-02E	
62	80	17.5	4.0	0.58	0 ... 8.00	0 ... 250	G½	VR6-04A	
			6.5	1.00	0 ... 16	0 ... 425		VR6-04B	

Special options, add the appropriate letter

stainless steel body	body and valve made of stainless steel 316	for G¼	VR6-02.S
EPDM elastomer	SST body only	for G¼	VR6-02.SE
FFKM elastomer	SST body only	for G¼	VR6-02.SX29
amper-proof cap	on valve with knob, standard		VR6-0..T
hexagon socket screw	and locknut		VR6-0..I
rotary knob with display	100 graduation, with star grip		VR6-0..R +12,00



*1 at 1 bar operating pressure and open outlet
*2 at 1 bar pressure difference

* Product group

PDF CAD
www.aircom.net

 **Order example:**
VR6-02A