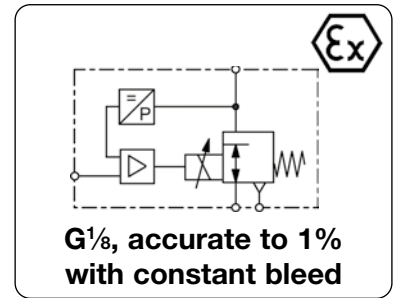


Description	Piezo-operated proportional pressure valve with closed loop in a two-wire system. Outlet pressure is proportional to an electrical input signal. The valve can be mounted in any position and is immune to shock or vibration. It is pilot-controlled to reach a higher flow rate.	
Media	lubricated or unlubricated and 50 µm filtered compressed air or non-corrosive gases	
Supply voltage	not necessary due to two-wire system (supply through 4...20 mA command signal)	
Electrical connector	coupling socket, 4-pin according to DIN 43651, size 15 x 15 mm	connector turnable in 90° steps
ATEX classification	Compliance with directive 2014/34/EU for use in potentially explosive atmosphere of group IIC, temperature classification T4.	Ignition protection type: II1G Ex ia IIC T4; II1D Ex D20 T135°C
Power consumption	< 200 mW	Failsafe feature exhaust at power breakdown
Linearity/Hysteresis	< 1% FS	Repeatability < 0.5% FS
Mounting position	any	Protection class IP 65
Air consumption	The pilot valve has an air consumption of 1.6 l/min	
Temperature range	Media: 0 °C to 60 °C / 32 °F to 140 °F	Ambient: 0 °C to 60 °C / 32 °F to 140 °F
Material	Body: aluminium and plastic	Elastomer: NBR/Buna-N and FKM
	Inner valve: stainless steel and plastic	

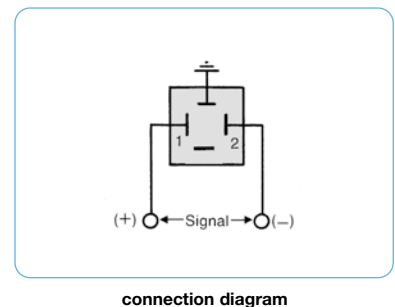
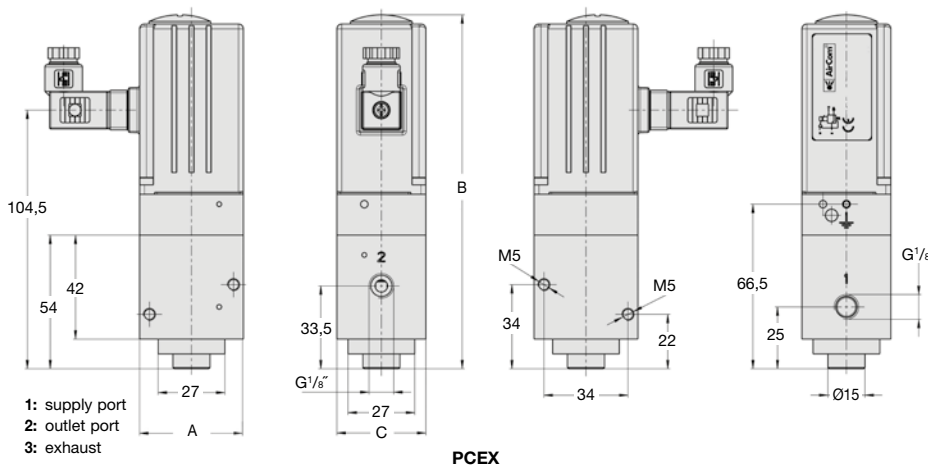
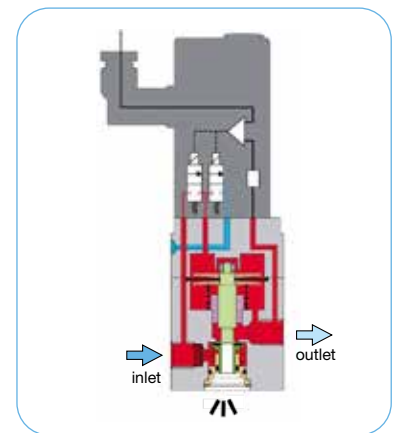


Dimensions			Nominal size	K _v -value	Flow rate	Supply min./max.	Connection thread	Pressure range	Order number
A	B	C	DN	(m ³ /h)	l/min*1	bar	G	bar	
mm	mm	mm							E*

Proportional pressure regulator										4-20 mA input signal, ATEX with coupling socket, with constant bleed	PCEX
42	143	36	4	0.5	550	2.5/3.0	G ¹ / ₈	0...2		PCEX-02	
						3.5/5.0		0...3		PCEX-03	
						4.5/6.0		0...4		PCEX-04	
						5.5/8.0		0...5		PCEX-05	
						6.5/8.0		0...6		PCEX-06	



PCEX



*1 at 6 bar supply pressure, 5 bar outlet pressure, equal exhaust forward flow

* Product group

