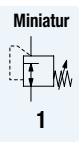
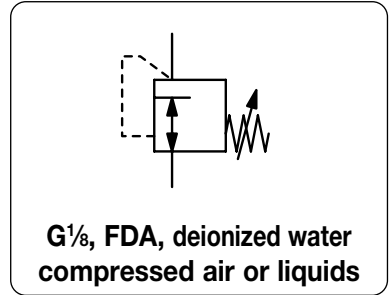


# MINIATURE PRESSURE REGULATOR WITH FDA APPROVAL

R037

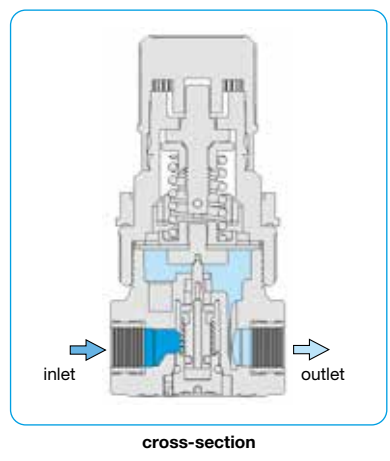


<b>Description</b>	Diaphragm miniature pressure regulator made of plastic and of small and lightweight design. All parts coming into contact with the medium are approved by the FDA.
<b>Application area</b>	food industry and water circulation, e.g. for dialysis devices
<b>Media</b>	compressed air, non-corrosive gases, deionized water or other liquids
<b>Supply pressure</b>	max. 16 bar
<b>Adjustment</b>	by plastic knob with snap-lock
<b>Relieving function</b>	non-relieving
<b>Gauge port</b>	not available
<b>Mounting position</b>	any
<b>Temperature range</b>	0 °C to 50 °C / 32 °F to 122 °F
<b>Material</b>	Body: POM technopolymer with thread insert of SST 316, approved by FDA and WRAS Elastomer: EPDM, approved by FDA and KTW Valve and O-ring: Hytrel and EPDM, FDA-approved Grease: Klüber, UH184-201



Dimensions			Flow rate		Connection	Pressure	Order
A	B	C	water	air	thread	range	number
mm	mm	mm	l/min*1	l/min	G	bar	

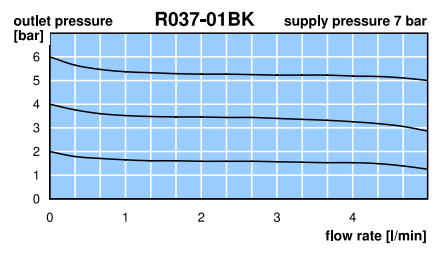
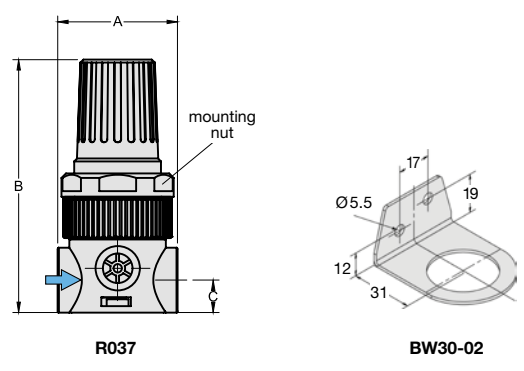
Pressure regulator w. FDA approval							supply pressure max. 16 bar, non-relieving EPDM, with inlet pressure compensation	R037
41	86	11	5	350	G <sup>1</sup> / <sub>8</sub>	0,1 ... 1	R037-010K	
						0,1 ... 2	R037-01AK	
						0,2 ... 4	R037-01BK	
						0,3 ... 8	R037-01CK	
						0,4 ... 12	R037-01DK	
41	86	11	5	380	G <sup>1</sup> / <sub>4</sub>	0,1 ... 1	R037-020K	
						0,1 ... 2	R037-02AK	
						0,2 ... 4	R037-02BK	
						0,3 ... 8	R037-02CK	
						0,4 ... 12	R037-02DK	



**Special options,** add the appropriate letter or number  
 for oxygen                      specially cleaned, with oxygen grease                      R037-0 . . K15

**Accessories,** enclosed

mounting bracket	made of steel	BW30-02
mounting nut	made of plastic	M30x1,5K
	made of aluminium	M30x1,5A



\*1 supply pressure 1 bar above outlet pressure

\* Product group