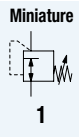
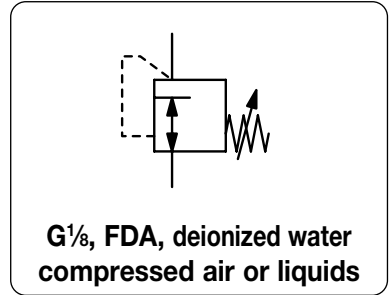


MINIATURE PRESSURE REGULATOR WITH FDA APPROVAL

R037



Description	Diaphragm miniature pressure regulator made of plastic and of small and lightweight design. All parts coming into contact with the medium are approved by the FDA.
Application area	food industry and water circulation, e.g. for dialysis devices
Media	compressed air, non-corrosive gases, deionized water or other liquids
Supply pressure	max. 16 bar
Adjustment	by plastic knob with snap-lock
Relieving function	non-relieving
Gauge port	not available
Mounting position	any
Temperature range	0 °C to 50 °C / 32 °F to 122 °F
Material	Body: POM technopolymer with thread insert of SST 316, approved by FDA and WRAS Elastomer: EPDM with thread insert of SST 316, approved by FDA and KTW Valve and O-ring: Hytrel and EPDM, FDA-approved Grease: Klüber, UH184-201



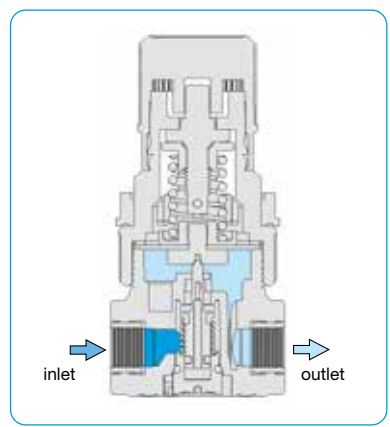
Dimensions			Flow rate		Connection	Pressure	Order
A	B	C	water	air	thread	range	number
mm	mm	mm	l/min*1	l/min	G	bar	

Pressure regulator w. FDA approval							supply pressure max. 16 bar, non-relieving EPDM, with inlet pressure compensation	R037
41	86	11	5	350	G ¹ / ₈	0,1 ... 1	R037-010K	
						0,1 ... 2	R037-01AK	
						0,2 ... 4	R037-01BK	
						0,3 ... 8	R037-01CK	
						0,4 ... 12	R037-01DK	
41	86	11	5	380	G ¹ / ₄	0,1 ... 1	R037-020K	
						0,1 ... 2	R037-02AK	
						0,2 ... 4	R037-02BK	
						0,3 ... 8	R037-02CK	
						0,4 ... 12	R037-02DK	



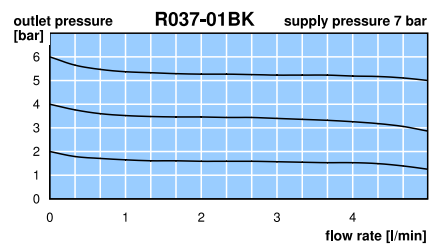
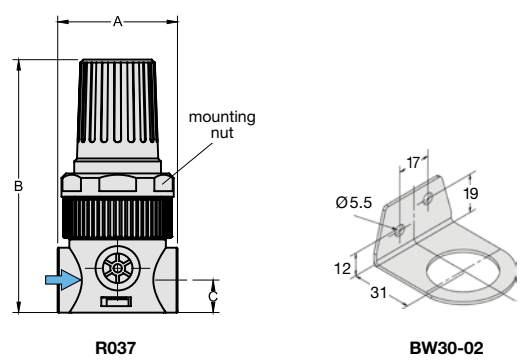
R037

Special options, add the appropriate letter or number
for oxygen specially cleaned, with oxygen grease R037-0...K15



cross-section

Accessories, enclosed		
mounting bracket	made of steel	BW30-02
mounting nut	made of plastic	M30x1,5K
	made of aluminium	M30x1,5A



*1 supply pressure 1 bar above outlet pressure

* Product group